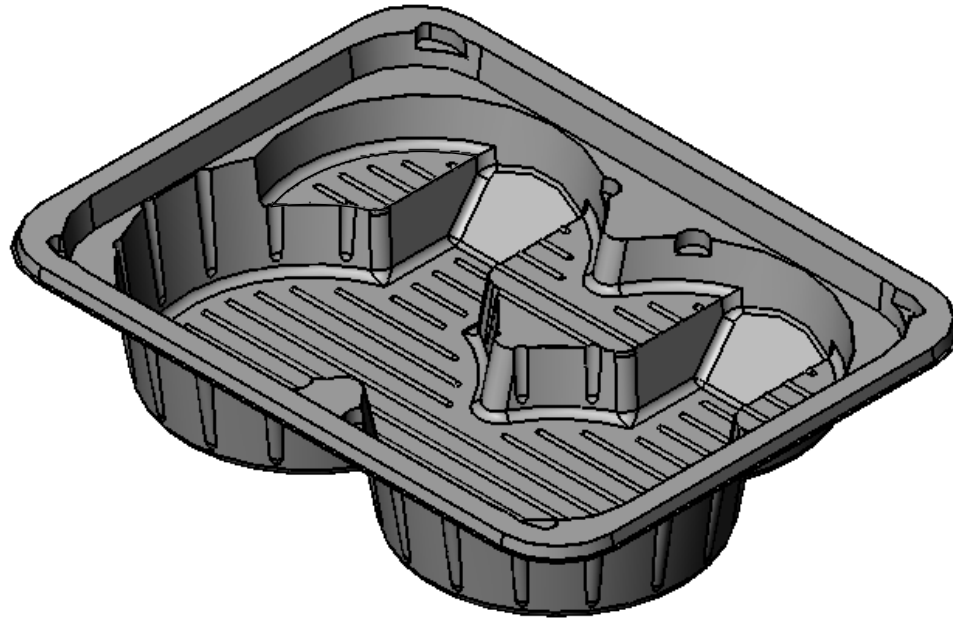


A Features



DO NOT SCALE DRAWING		REVISION	
TITLE: D3-45 Burger			
DWG NO.		2623	
SCALE:1:1		SHEET 1 OF 1	
A3			

	NAME	SIGNATURE	DATE
DRAWN	ES		18/07/2004
APPVD			
UNLESS OTHERWISE SPECIFIED: DIMENSIONS ARE IN MILLIMETERS SURFACE FINISH: TOLERANCES: +/- 1mm LINEAR: +/- 1mm ANGULAR: +/- 1mm		MATERIAL:	